



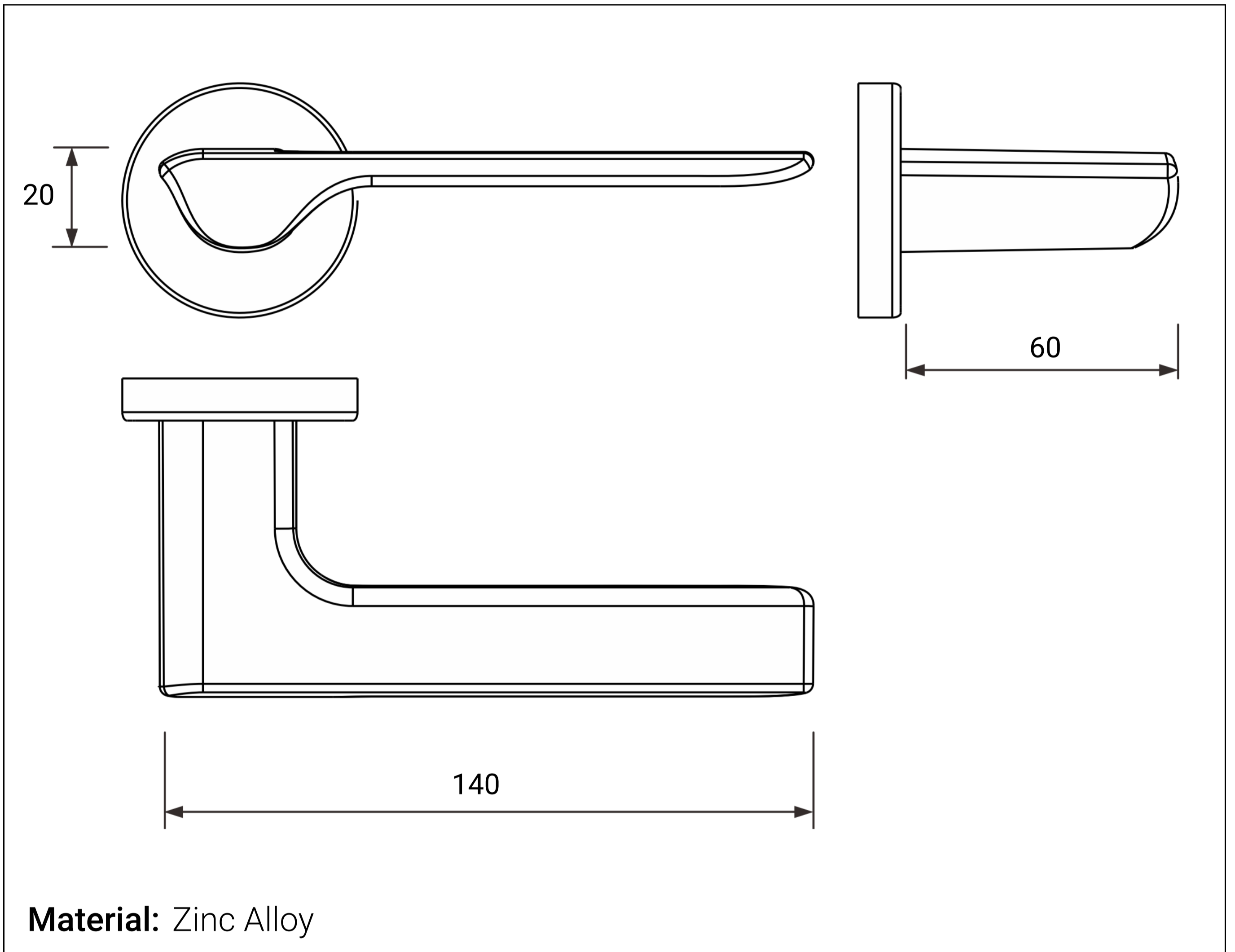
Designer Hardware


TECHNICAL SPECIFICATIONS

PRISTINE Series

Designer Door Handles

Technical Drawing



Finish	Function	SKU	Package Weight
 Gun Metal	Passage	DHD-PRS-SBN-PA	1.0 kg
	Privacy	DHD-PRS-SBN-P2	1.9 kg
	Entrance	DHD-PRS-SBN-EN	2.1 kg