

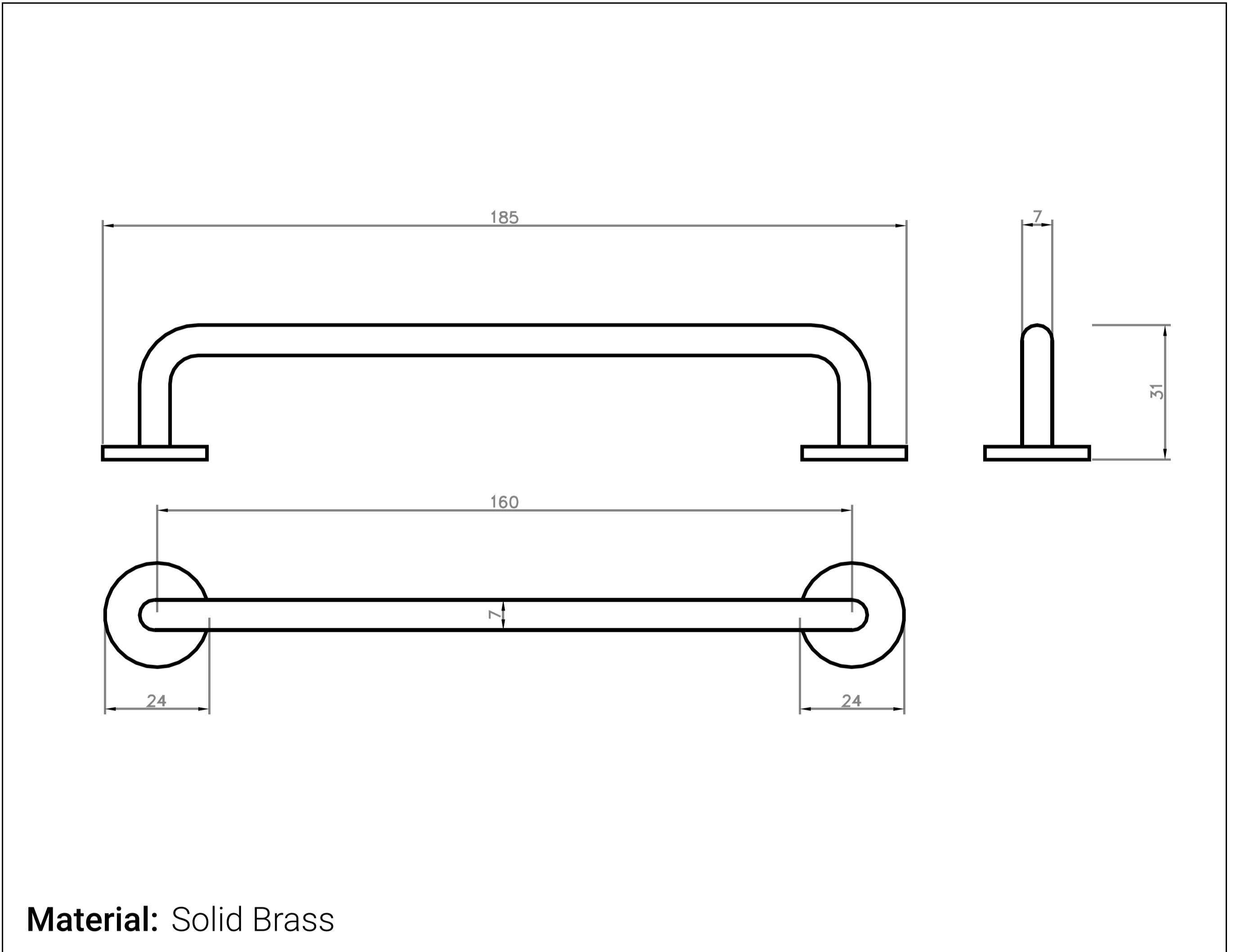
Designer Hardware

TECHNICAL SPECIFICATIONS

GLEICH 185

Cabinet Handle & Pull

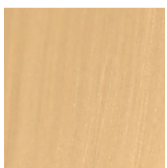
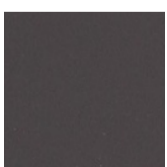
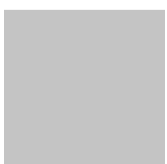
Technical Drawing



Finish

SKU

Included Hardware

-  Brushed Brass CHD-GLE-BBR-185
-  Matte Black CHD-GLE-MBK-185
-  Brushed Nickel CHD-GLE-NIC-185

- 2x M4 Screw 25mm
- 2x M4 Screw 40mm
- 4x Spring Washer

