



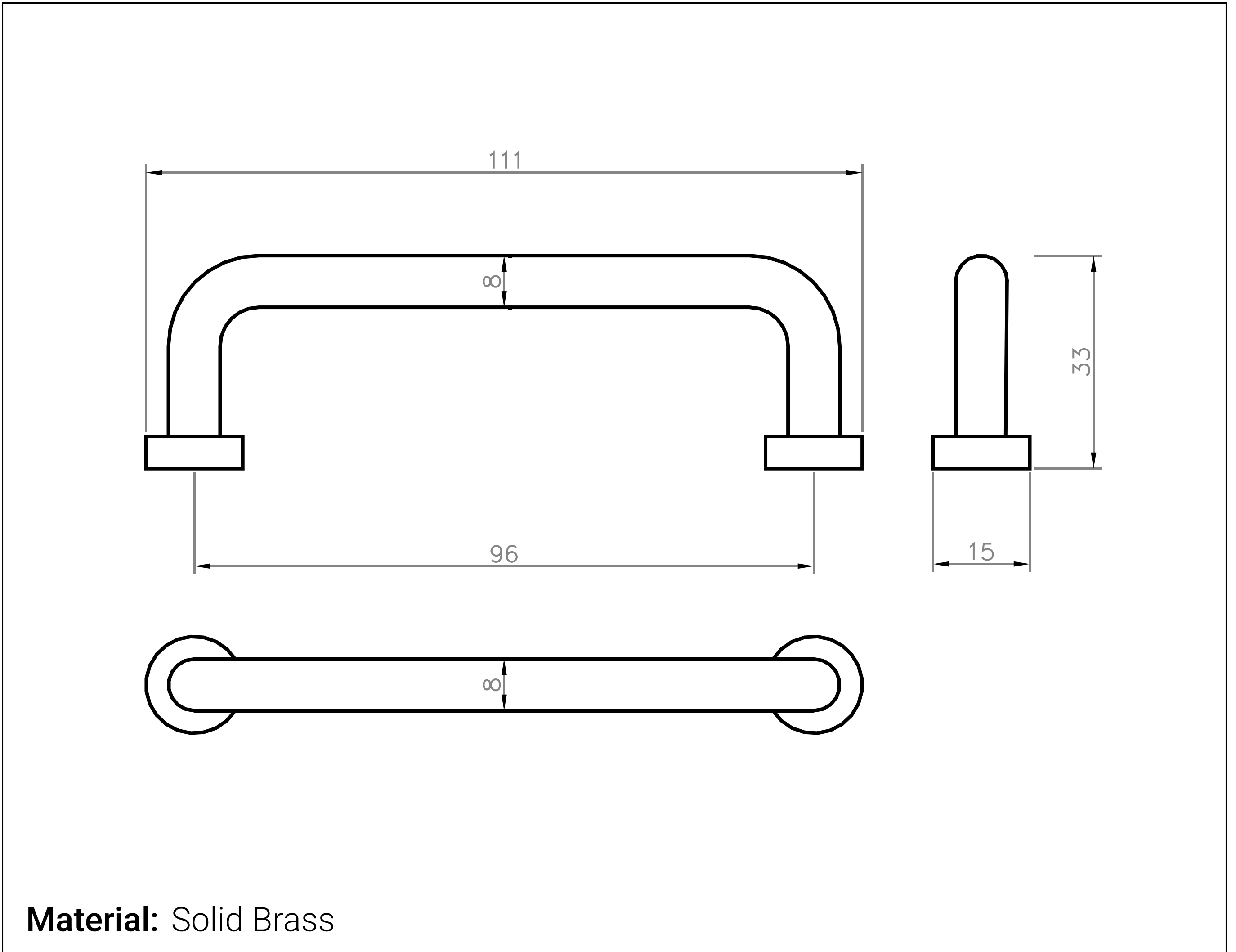
**Designer Hardware**

# TECHNICAL SPECIFICATIONS

## **ROSA 110**

Cabinet Handle & Pull

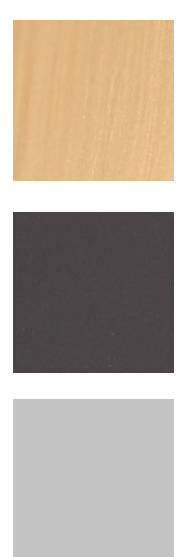
### Technical Drawing



### Finish

### SKU

### Included Hardware



Brushed Brass ..... CHD-RSA-BBR-110

Matte Black ..... CHD-RSA-MBK-110

Brushed Nickel ..... CHD-RSA-NIC-110

2x M4 Screw 25mm  
2x M4 Screw 40mm  
4x Spring Washer

