

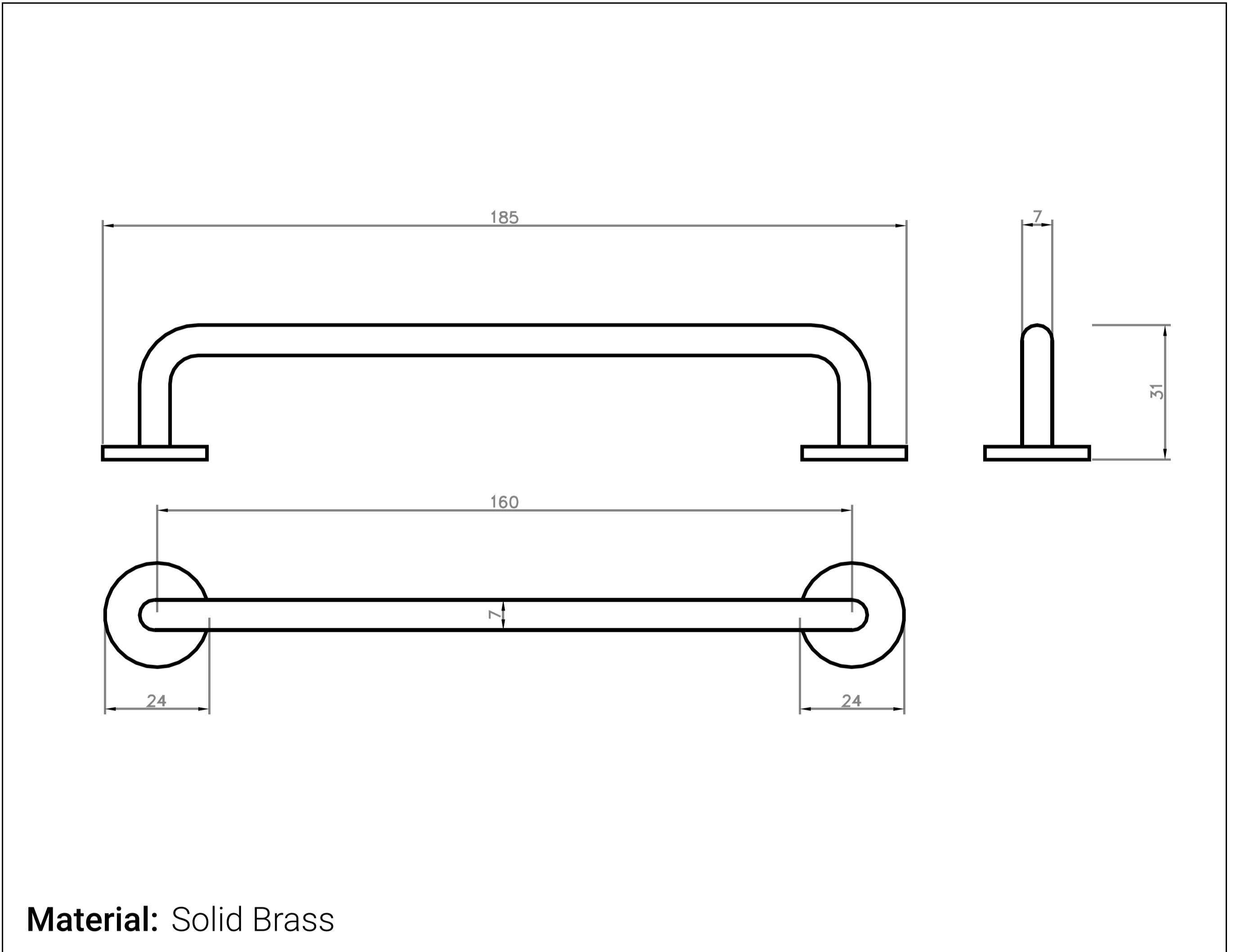
Designer Hardware

TECHNICAL SPECIFICATIONS

GLEICH 160

Cabinet Handle & Pull

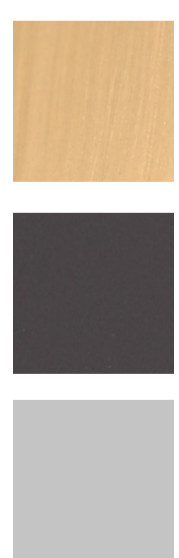
Technical Drawing



Finish

SKU

Included Hardware



Brushed Brass CHD-GLE-BBR-160

Matte Black CHD-GLE-MBK-160

Brushed Nickel CHD-GLE-NIC-160

2x M4 Screw 25mm
2x M4 Screw 40mm
4x Spring Washer

