

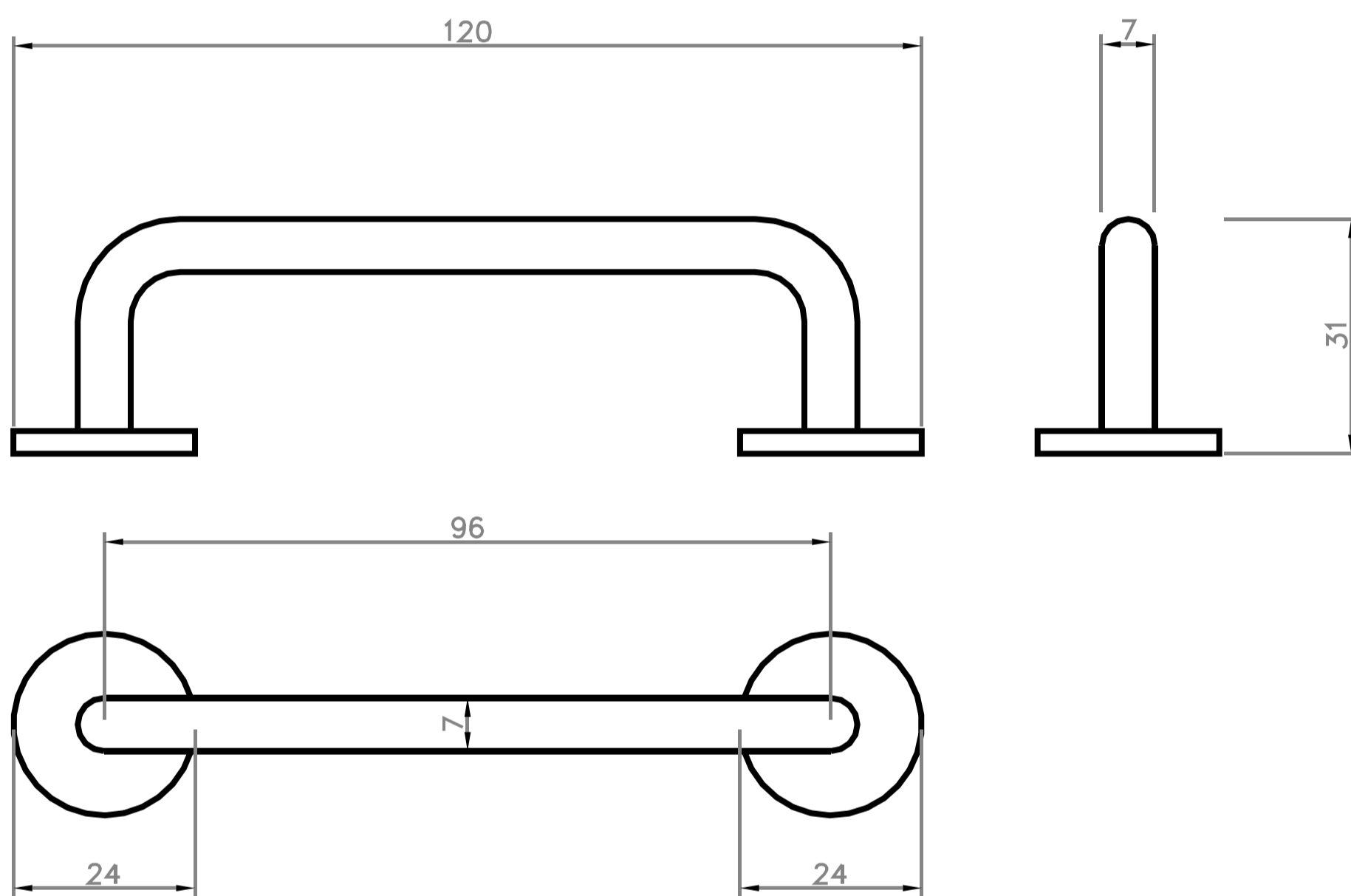
Designer Hardware

TECHNICAL SPECIFICATIONS

GLEICH 96

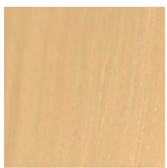
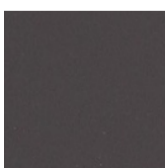

Cabinet Handle & Pull

Technical Drawing



Material: Solid Brass

Finish

-  Brushed Brass CHD-GLE-BBR-96
-  Matte Black CHD-GLE-MBK-96
-  Brushed Nickel CHD-GLE-NIC-96

SKU

Included Hardware

- 2x M4 Screw 25mm
- 2x M4 Screw 40mm
- 4x Spring Washer

