



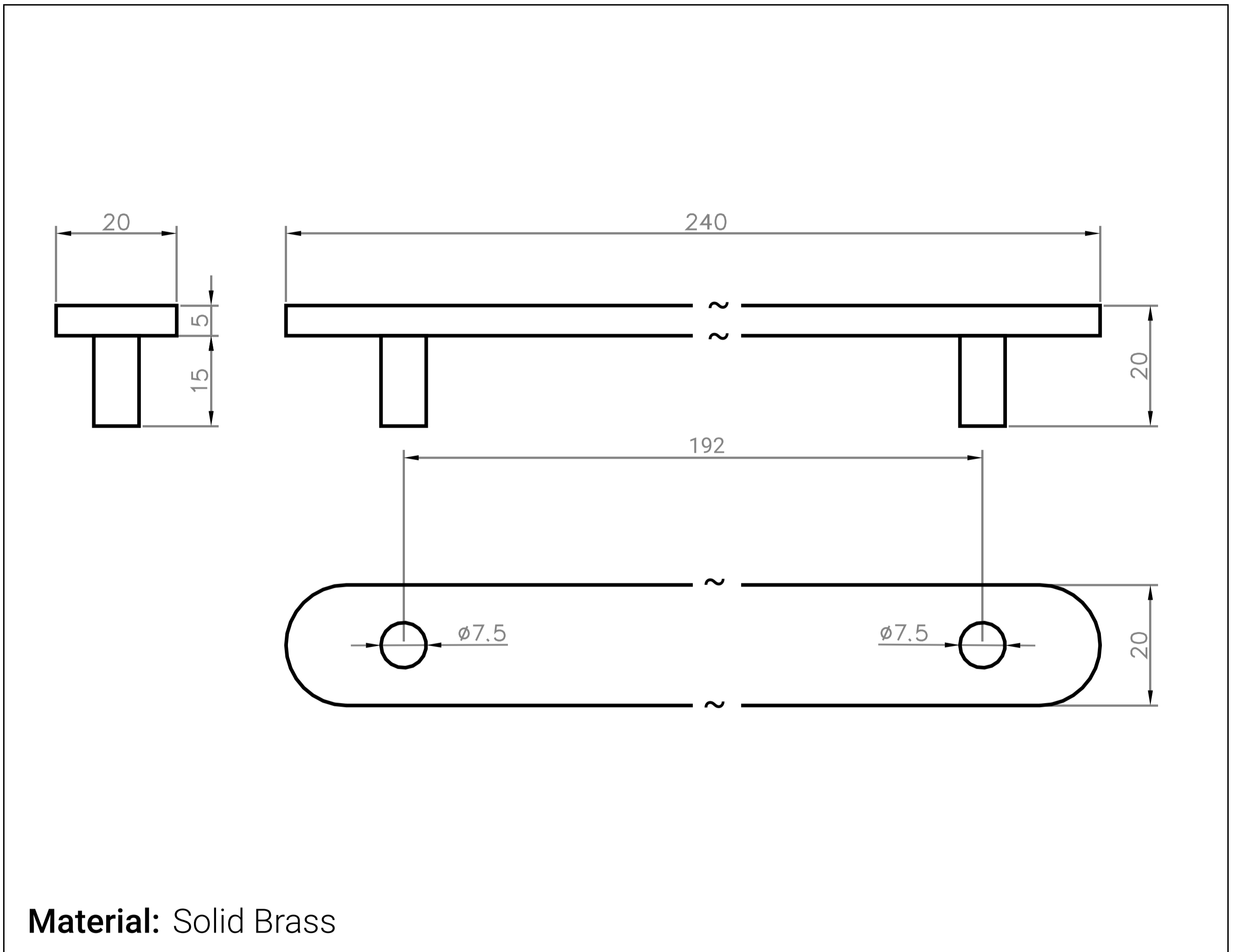
Designer Hardware

TECHNICAL SPECIFICATIONS

KATZE 192

Cabinet Handle & Pull


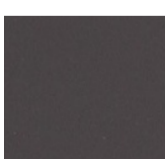

Technical Drawing



Finish

SKU

Included Hardware

	Brushed Brass	-----	CHD-KTZ-BBR-192
	Matte Black	-----	CHD-KTZ-MBK-192
	Brushed Nickel	-----	CHD-KTZ-NIC-192

2x M4 Screw 25mm
 2x M4 Screw 40mm
 4x Spring Washer

