



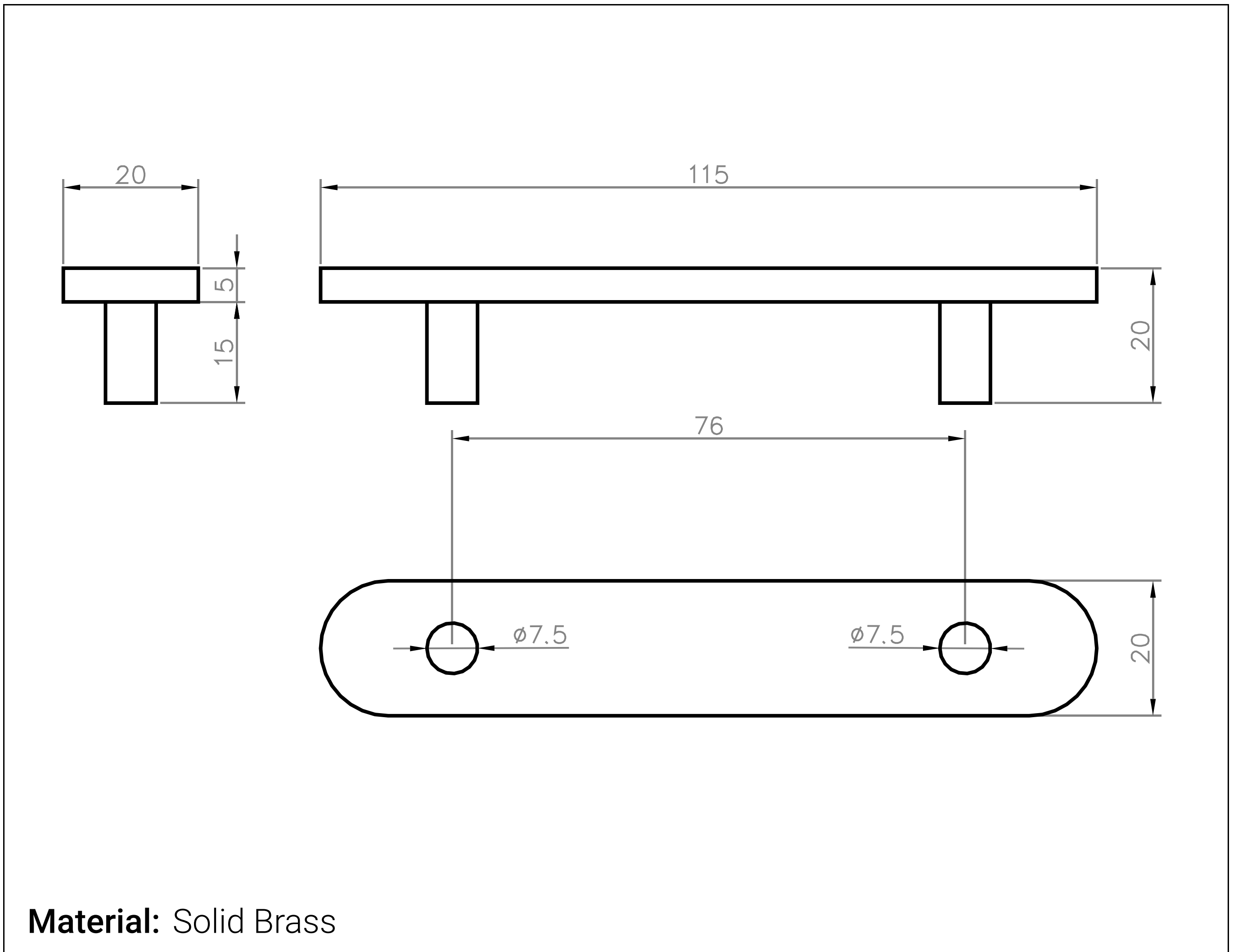
Designer Hardware

TECHNICAL SPECIFICATIONS

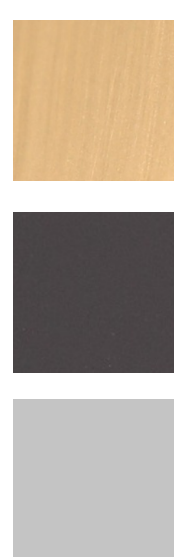
KATZE 76

Cabinet Handle & Pull

Technical Drawing



Finish



Brushed Brass CHD-KTZ-BBR-76

Matte Black CHD-KTZ-MBK-76

Brushed Nickel CHD-KTZ-NIC-76

SKU

Included Hardware

2x M4 Screw 25mm
2x M4 Screw 40mm
4x Spring Washer

